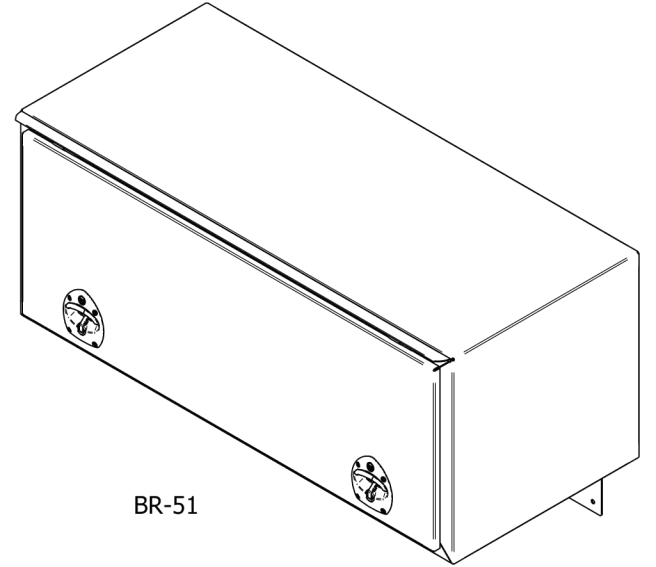
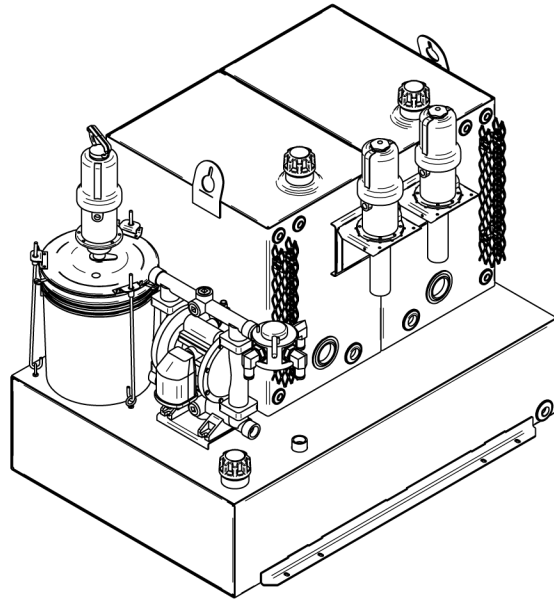


V-160



BR-51



35# GREASE

80 GALLONS
SALVAGE OIL

